

For **WATERPROOFED ROOFS OR EXISTING UPSTANDS**

PYRODÔME®

Évolution Pneumatique



NF 537

Dispositifs Actionnés de Sécurité (DAS)
Dispositifs de commande (DC)



EN 12101-2
EN 1873 + A1 : 2016

THERMIK' VERSION



Types of filling

THERMIK' RANGE:

- PCA 16
- PCA 16+
- PCA 32
- PCA 32+
- PMMA triple dome
- Acoustik'Light



Upstand

- Straight upstand
- 1.2 mm galvanised steel

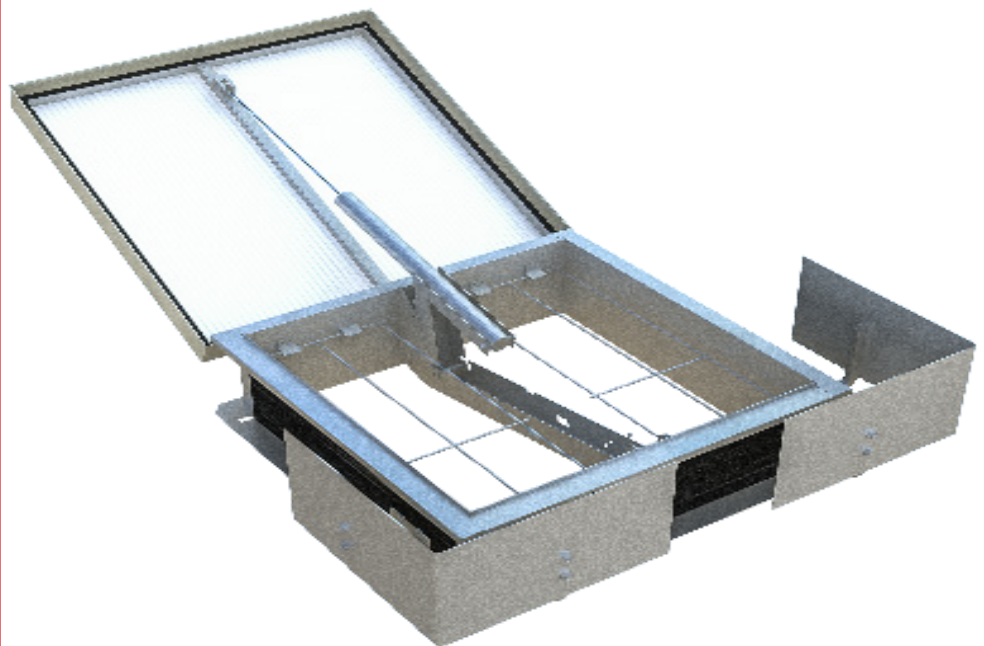
THERMIK' RANGE:

- Height 360 mm with a 30 mm bituminous insulating coating



Control

- Pneumatic opening/closing
- Built-in and offset mechanism for 100x100 cm and 120x120 cm roof opening dimensions



Also available:



OPTIONS



Types of filling

- Opal PCA 16 IR
- Grey PCA 16
- Transparent PCA 16
- Insulated aluminium cover
- Solid PC triple dome



Control

- Limit switch
- Thermo-fuse (93°C as standard. Options: 141°C, 183°C or other temps.)



Electric or pneumatic ventilation kit



Upstand

- Upstand height: 410 mm or more
- Lacquered interior (standard RAL colours)
- Colaminated sheet steel top for PVC waterproofing
- Galvanised sheet steel top or PVC waterproofing
- Bare insulation for PVC waterproofing
- With/without wind baffles (SD/AD)

Capping upstand

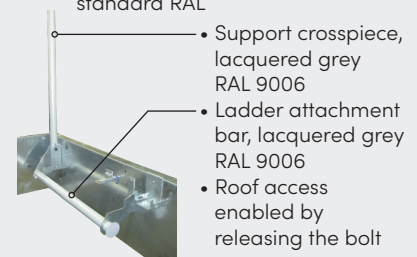
See page 8 for details.

Available versions



Other information

- 6 mm round bar or 16x16 mm 1200 joule square tube grid, galvanised or lacquered in standard RAL
- Anti-sawing burglar-resistant grid (16x16 mm + R10 tube assembly), galvanised or lacquered in standard RAL



- Support crosspiece, lacquered grey RAL 9006
- Ladder attachment bar, lacquered grey RAL 9006
- Roof access enabled by releasing the bolt

www.skydome.eu

SKYDÔME®

Dimensions

Roof opening dimensions A x B (cm)		Overall heel dimensions C x D (cm)		Height H* (cm)		Light surface (m ²)	E (cm)	Product weight (kg)	
Straight upstand	Skewed XL upstand	Straight upstand	Skewed XL upstand	Straight upstand	Skewed XL upstand			Straight upstand	Skewed XL upstand
100 x 100	114 x 114	118 x 118	132 x 132	42	42	1.00	165	63	67
120 x 120	134 x 134	138 x 138	152 x 152	42	42	1.44	186	76	81
140 x 140	154 x 154	158 x 158	172 x 172	42	42	1.96	207	90	95
150 x 150	164 x 164	168 x 168	182 x 182	42	42	2.25	228	96	102
160 x 160	174 x 174	178 x 178	192 x 192	42	42	2.56	240	103	109
180 x 180	194 x 194	198 x 198	212 x 212	44	44	3.24	274	116	123
195 x 200	209 x 214	213 x 218	227 x 232	44	44	3.90	285	129	137
100 x 150	114 x 164	118 x 168	132 x 182	42	42	1.50	165	76	81
100 x 200	114 x 214	118 x 218	132 x 232	44	44	2.00	165	90	96
120 x 200	134 x 214	138 x 218	152 x 232	43	43	2.40	186	98	105
140 x 200	154 x 214	158 x 218	172 x 232	44	44	2.80	207	106	113
120 x 250	134 x 264	138 x 268	152 x 282	44	44	3.00	186	112	110

Contact us for other dimensions.
* For an upstand height of 360 mm

Filling performance

Other filling and filling options: see "Filling" data sheet

Type of filling	Thermal transmittance factor Ug (W/ m ² .K)	LT D65 ⁽²⁾	SF or g ⁽²⁾	Reaction to fire	R _w (dB) ⁽³⁾	
	U _{hor} ⁽¹⁾					
PCA	Opal multi-wall PCA 16	1.9	45%	46%	B-s1-d0	R _w =21 dB
	Transparent PCA 16 with Lumira™ aerogel	1.5	67%	67%	B-s1-d0	R _w =21 dB
	Opal multi-wall PCA 20	1.6	54 %	47%	B-s2-d0	R _w =21 dB
	Transparent multi-wall PCA 32	1.3	33%	49%	B-s2-d0	ND
	Transparent PCA 32 with 50% Lumira™ aerogel	0.97	43%	45%	ND	ND
Cover	40 mm aluminium cover	0.85	0%	ND	ND	ND
Dome	Opal solid PC triple dome Opal upper dome + transparent intermediate dome + transparent lower dome	2.76	ND	ND	ND	ND
Acoustik' Light	Acoustik'Light Transparent PCA 10 & Transparent PCA 6	2.1	ND	ND	ND	R _w =27 dB

⁽¹⁾As per §2.31 of the Th-Bat regulations.

⁽²⁾ Light transmittance LT D65 and solar transmittance SF (TST or g) as per EN 410.

⁽³⁾ Filling insulated against airborne noise R_w, pink noise RA (environment, airport and industrial activities) and road noise RA, Tr laboratory-measured according to NF EN ISO 140.

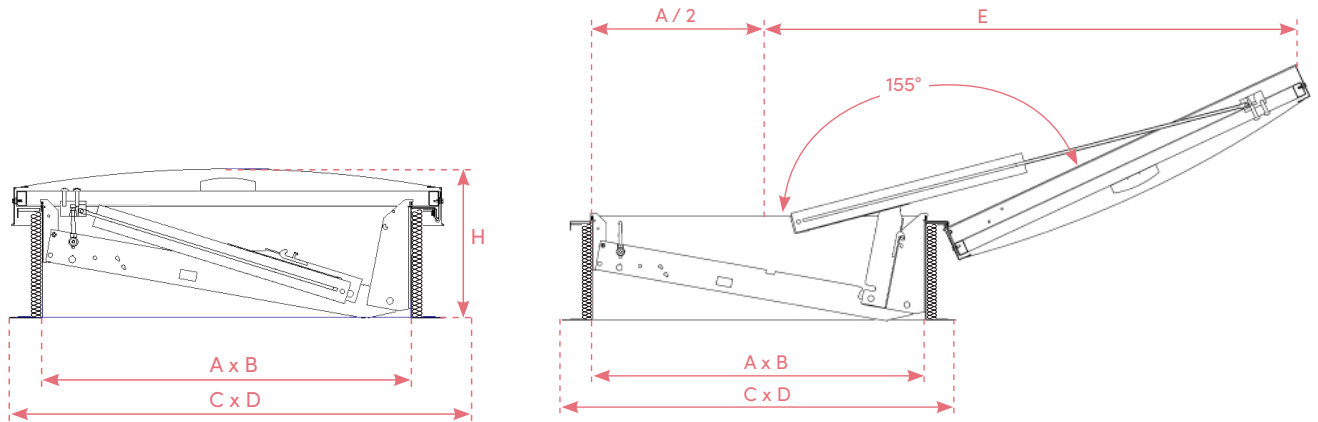
Control system

We supply versatile installation kits for controlling the PYRODÔME® ÉVOLUTION PNEUMATIQUE and PYRODÔME® ÉVOLUTION PNEUMATIQUE CAPPING UPSTAND. These easy-to-use kits combine a core kit with a range of (mechanical, pneumatic or electrical) satellite kits. See the *Installation Kits* datasheet for a full list of our kits.

Technical diagrams

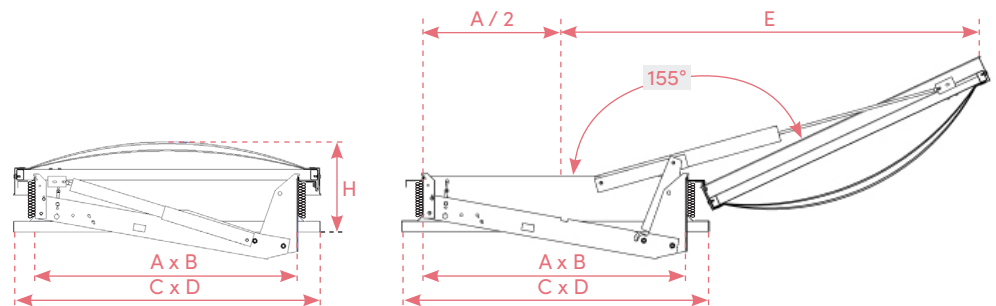
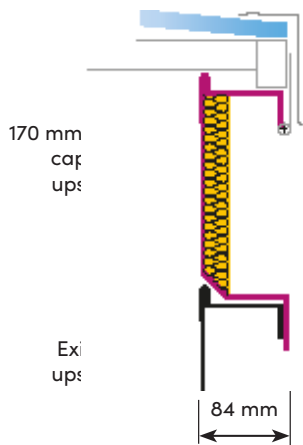
THERMIK' range

PYRODÔME ÉVOLUTION PNEUMATIQUE PCA



THERMIK' range capping upstand

PYRODÔME ÉVOLUTION PNEUMATIQUE triple dome



PERFORMANCE

- Exhaust ventilator opening:** type B (open + close)
- Reliability:** Re 1000 + 10000 (with ventilation kit)
- Low ambient temperature:** T(0°C)
- Resistance to heat:** B₃₀₀
- Thermo-fuse set temperature:** 93 °C to 183 °C
- Resistance to wind load:** WL1500
- Opening under load:** SL250 to SL500 depending on filling
- Also available in WL 3000 for dimensions < 140 x 140 cm.**
- Contact us for details.**

COMPLIANCE & INSTALLATION

CE certified NSHEV compliant with NF EN 12101-2. (Product certification No. 0333 CPR 219015)

The product must be fastened and sealed in accordance with the requirements defined in the applicable DTU specifications (series 40 and 43).

Maximum insulation height: as per the DTUs, the sealing flashing must extend to a height of at least 150 mm.

The waterproofing complex (substrate, vapour barrier, insulation and two-layer sealant) must be no thicker than 190 mm for an interior upstand height of 360 mm, or 240 mm for an upstand height of 410 mm.

Maximum permissible slope: 25° or 46% (see installation instructions).

Only the security bar option provides guaranteed 1200 joule protection.

DoP available at www.skydome.eu

Trade name

Trade name	Filling	Upstand insulation
PYRODÔME ÉVOLUTION PNEUMATIQUE	THERMIK' 16	16 mm PCA(Opal PCA)
	THERMIK' 16+	16 mm PCA with LUMIRA (Transparent PCA)
	THERMIK' 20	20 mm PCA (Opal PCA)
	THERMIK' 32	32 mm PCA (Transparent PCA)
	THERMIK' 32+	16 mm PCA + 16 mm PCA with LUMIRA (Transparent PCA)
	THERMIK' 3xD	Triple dome Opal upper dome + transparent interior dome + transparent lower dome
	THERMIK' 40 OPAQUE	40 mm aluminium cover
	THERMIK' ACOUSTIK' LIGHT	10 mm PCA + 6 mm solid PC
		Upstand height: 360 mm Insulation: • on vertical part of upstand • on upstand lip

Air permeability and light surface*

Roof opening dimensions A x B (cm)	Air flow (m³/h) - Class AP06 ⁽¹⁾		ELS ² (m²)			
	Less than 4 Pa	Less than 50 Pa	Straight upstand		Skewed XL upstand	
			Height 360 mm	Height 410 mm	Height 360 mm	Height 410 mm
100 x 100	0.12	0.76	0.36	0.35	0.37	0.36
120 x 120	0.14	0.92	0.54	0.52	0.55	0.54
140 x 140	0.17	1.07	0.75	0.73	0.77	0.75
150 x 150	0.18	1.15	0.86	0.85	0.89	0.87
160 x 160	0.19	1.22	0.99	0.98	1.02	1
180 x 180	0.22	1.38	1.27	1.25	1.31	1.29
195 x 200	0.24	1.51	1.54	1.52	1.59	1.57
100 x 150	0.15	0.96	0.56	0.55	0.57	0.56
100 x 200	0.18	1.15	0.76	0.74	0.78	0.76
120 x 200	0.19	1.22	0.95	0.93	0.95	0.93
140 x 200	0.20	1.30	1.09	1.07	1.12	1.1
120 x 250	0.22	1.41	1.16	1.14	1.2	1.18

⁽¹⁾ Air permeability tests carried out at the CSTC test centre as per NF EN 1873 protocols (with reference to the standards NF EN 12152 and NF EN 12153). ² Effective light surface calculated with white lacquered upstand and PCA 16 filling.

* For the maximum possible performance, contact us

Acoustic performance

	PCA 16	PCA 16+	PCA 32	PCA 32 & dome	PCA 32+	PCA 32+ & dome	Opaque 40 mm aluminium cover	Triple dome	Acoustik' Light
Acoustic attenuation R_w ($C;C_{tr}$) (dB)	17(-2;2)	19(0;-1)	20(-2;-1)	25(-1;-3)	21(0;0)	26(-1;-3)	23(-1;-3)	20(0;-2)	25(-1;-1)
Rain-generated sound intensity L_{ia} (dB)	77	74	75	63	72	61	63	63	66

R_w = acoustic attenuation index laboratory-measured according to EN410 (airborne noise) - $R_x = R_w + C$ = "pink noise" attenuation index - $R_{A,w} = R_w + C_{tr}$ = "road noise" attenuation index

*Overall performance of the unit fitted with ACOUSTIK' LIGHT filling is stated for the THERMIK' range only

Maximum permissible snow loads SL (Pa) and operating pressure

Roof opening (cm)	Jack volume (l)	Closing pressure (bar)	Opening pressure (bar)							
			PCA16 / PCA16 +		PCA32 / PCA32 +/- 40 mm cover		PCA32 & dome		PCA32+ & dome / Triple Dome / Acoustik'Light	
			SL250	SL500	SL250	SL500	SL250	SL500	SL250	SL500
100 x 100	1.7	10	10	15	10	15	10	15	10	15
120 x 120	1.9		11	15	11	15	10	15	11	15
140 x 140	2.0		13	22	14	23	14	23	23	
150 x 150	2.0		17	27	17	28	17	28	28	
160 x 160	2.7		16	26	17	27	17	27	27	
180 x 180	2.7		21							
195 x 200	2.7		27							
100 x 150	1.7		10	15	10	15	15		15	
100 x 200	1.7		11	15	11	15	15		20	
120 x 200	1.9		14	24						
140 x 200	2.0		17	30						
120 x 250	1.9		17	28						

Centred crosspiece

Crosspiece offset by default or centred on request

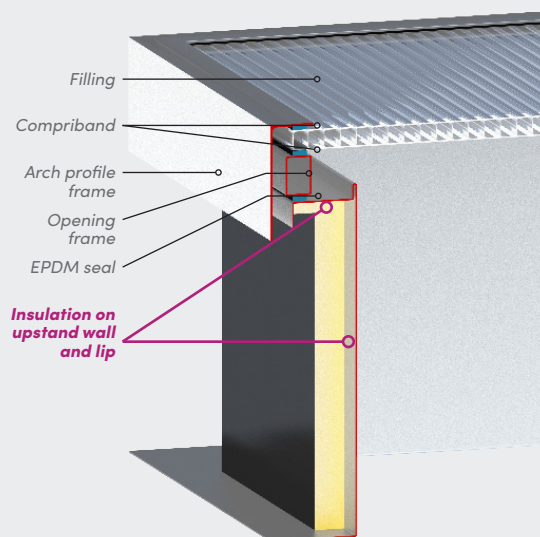
Aeraulic performance

Roof opening dimensions A x B (cm)		Av (m ²)	PYRODÔME EVOLUTION PNEUMATIQUE		PYRODÔME EVOLUTION PNEUMATIQUE XL		
			Aa (m ²)		Av (m ²)	Aa (m ²)	
			SD	AD		SD	AD
100 x 100	114 x 114	1.00	0.55	0.68	1.30	0.70	0.87
120 x 120	134 x 134	1.44	0.78	0.96	1.80	0.97	1.20
140 x 140	154 x 154	1.96	1.04	1.28	2.37	1.27	1.60
150 x 150	164 x 164	2.25	1.18	1.45	2.69	1.43	1.82
160 x 160	174 x 174	2.56	1.34	1.63	3.03	1.61	2.05
180 x 180	194 x 194	3.24	1.67	2.12	3.76	1.99	2.56
195 x 200	209 x 214	3.90	1.99	2.35	4.47	2.36	3.07
100 x 150	114 x 164	1.50	0.81	1.00	1.87	1.01	1.25
100 x 200	114 x 214	2.00	1.00	1.33	2.44	1.32	1.64
120 x 200	134 x 214	2.40	1.21	1.59	2.87	1.45	1.95
140 x 200	154 x 214	2.80	1.42	1.85	3.30	1.68	2.24
120 x 250	134 x 264	3.00	1.41	1.98	3.54	1.71	2.41

$U_{RC}: 1.7 \text{ W/m}^2.\text{K}^*$

ENHANCED THERMAL INSULATION:

- ✓ **Wide range of filling options** with different thermal insulation, light transmittance and solar factor performance
- ✓ **Compliant with applicable DTU specifications**
- ✓ **Superior watertightness**



Thermal performance: U_{RC} ($\text{W/m}^2.\text{K}$) and A_{RC} (m^2)

PYRODÔME® ÉVOLUTION PNEUMATIQUE

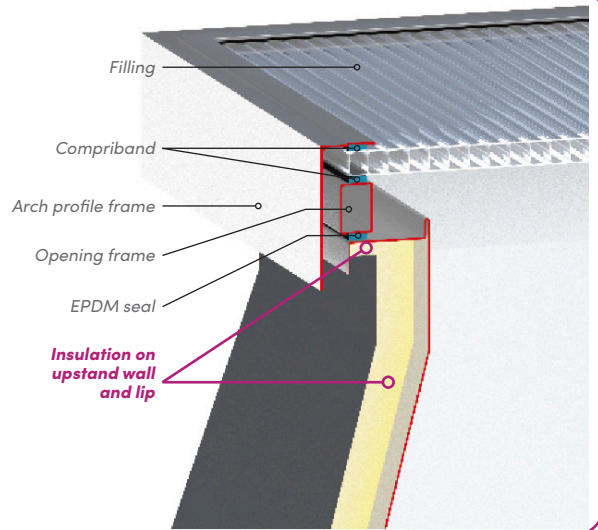
Dimensions (cm)	Upstand height: 360 mm									Upstand height: 410 mm								
	U_{RC}								A_{RC}	U_{RC}								A_{RC}
	Acoustik' Light	PCA 16	PCA 16+	PCA 20	PCA 32**	PCA 32+	Opaque 40 mm aluminium cover	Triple dome		Acoustik' Light	PCA 16	PCA 16+	PCA 20	PCA 32**	PCA 32+	Opaque 40 mm aluminium cover	Triple dome	
100 x 100	2.3	2.1	2	1.9	1.8	1.7	1.5	2.8	3.1	2.1	2.1	1.9	1.9	1.8	1.6	1.5	2.7	3.3
120 x 120	2.3	2.1	2	1.9	1.8	1.6	1.5	2.8	3.8	2.1	2	1.9	1.9	1.8	1.5	1.5	2.7	4.1
140 x 140	2.3	2.1	2	1.9	1.7	1.6	1.4	2.8	4.7	2.1	2	1.9	1.9	1.8	1.5	1.4	2.7	5.0
150 x 150	2.3	2.1	2	1.8	1.7	1.6	1.4	2.8	5.2	2.1	2	1.9	1.9	1.8	1.5	1.4	2.7	5.5
160 x 160	2.3	2.1	2	1.8	1.7	1.6	1.4	2.8	5.6	2.1	2	1.9	1.8	1.7	1.5	1.4	2.7	6.0
180 x 180	2.3	2	2	1.8	1.7	1.5	1.4	2.8	6.6	2.1	2	1.8	1.8	1.7	1.4	1.4	2.7	7.0
195 x 200	2.3	2	2	1.8	1.7	1.5	1.3	/	7.6	2	2	1.8	1.8	1.7	1.4	1.4	/	8.0
100 x 150	2.3	2	2	1.9	1.8	1.6	1.4	2.8	4.0	2.1	2	1.9	1.9	1.8	1.5	1.5	2.7	4.2
100 x 200	2.3	2.1	2	1.9	1.7	1.6	1.4	2.8	4.9	2.1	2	1.9	1.9	1.8	1.5	1.4	2.7	5.2
120 x 200	2.3	2.1	2	1.8	1.7	1.6	1.4	2.8	5.5	2.1	2	1.9	1.9	1.8	1.5	1.4	2.7	5.8
140 x 200	2.3	2	2	1.8	1.7	1.5	1.4	2.8	6.0	2.1	2	1.9	1.8	1.7	1.5	1.4	2.7	6.4
120 x 250	2.2	2.1	2	1.8	1.7	1.6	1.4	/	6.5	2.1	2	1.9	1.8	1.7	1.5	1.4	/	6.9

* For a 160 x 160 cm unit with a 360 mm high upstand and PCA 32+ filling
 ** Adding a dome has no effect on the unit's thermal conductivity U_{RC} .

U_{RC} : 1.5 W/m².K*

ENHANCED THERMAL INSULATION:

- ✓ **Wide range of filling options** with different thermal insulation, light transmittance and solar factor performance
- ✓ **Compliant with applicable DTU specifications**
- ✓ **Superior watertightness**



Thermal performance: U_{RC} (W/m².K) and A_{RC} (m²)

PYRODÔME® ÉVOLUTION PNEUMATIQUE																				
Dimensions (cm)	Upstand height: 360 mm									Upstand height: 410 mm										
	U_{RC}									A_{RC}	U_{RC}									
	Acoustik' Light	PCA 16	PCA 16+	PCA 20	PCA 32**	PCA 32+	Opaque 40 mm aluminium cover	Triple dome	Acoustik' Light		PCA 16	PCA 16+	PCA 20	PCA 32**	PCA 32+	Opaque 40 mm aluminium cover	Triple dome	A_{RC}		
100 x 100	2.2	2	1.9	1.9	1.8	1.6	1.6	2.5	3.2	2	1.9	1.8	1.8	1.7	1.6	1.6	2.3	3.4		
120 x 120	2.2	2	1.9	1.9	1.7	1.6	1.5	2.5	3.9	2	1.9	1.8	1.8	1.6	1.5	1.5	2.4	4.2		
140 x 140	2.2	2	1.9	1.9	1.7	1.5	1.5	2.6	4.8	2	1.9	1.8	1.8	1.6	1.5	1.5	2.4	5.1		
150 x 150	2.2	2	1.8	1.9	1.7	1.5	1.5	2.6	5.2	2	1.9	1.8	1.8	1.6	1.5	1.5	2.4	5.6		
160 x 160	2.2	2	1.8	1.8	1.7	1.5	1.4	2.6	5.7	2	1.9	1.8	1.8	1.6	1.5	1.4	2.4	6.1		
180 x 180	2.2	2	1.8	1.8	1.6	1.5	1.4	2.6	6.7	2	1.9	1.7	1.8	1.6	1.4	1.4	2.4	7.1		
195 x 200	2.2	2	1.8	1.8	1.5	1.4	1.4	/	7.7	2	1.9	1.7	1.8	1.6	1.4	1.4	/	8.1		
100 x 150	2.2	2	1.9	1.9	1.7	1.6	1.5	2.5	4.1	2	1.9	1.8	1.8	1.6	1.5	1.5	2.4	4.4		
100 x 200	2.2	2	1.9	1.9	1.7	1.5	1.5	2.6	5.0	2	1.9	1.8	1.8	1.6	1.5	1.5	2.4	5.3		
120 x 200	2.2	2	1.8	1.9	1.7	1.5	1.5	2.6	5.6	2	1.9	1.8	1.8	1.6	1.5	1.5	2.4	5.9		
140 x 200	2.2	2	1.8	1.8	1.7	1.5	1.4	2.6	6.1	2	1.9	1.8	1.8	1.6	1.5	1.4	2.4	6.5		
120 x 250	2.2	2	1.8	1.8	1.7	1.5	1.4	/	6.6	2	1.9	1.8	1.8	1.6	1.5	1.4	/	7.0		

* For a 160 x 160 cm unit with a 360 mm high upstand and PCA 32+ filling
 ** Adding a dome has no effect on the unit's thermal conductivity U_{RC} .

FOR RENOVATION AND COMPLIANCE WORKS

The **PYRODÔME® ÉVOLUTION PNEUMATIQUE CAPPING UPSTAND** is designed to fit any type of upstand, whether for compliance reasons or to change the NSHEV's purpose **while maintaining the existing upstand**.



Types of filling

THERMIK' RANGE:

- PCA 16
- PCA 16+
- PCA 32
- PCA 32+
- PMMA triple dome
- Acoustik'Light



Upstand

- Straight upstand
- 1.2 mm galvanised steel

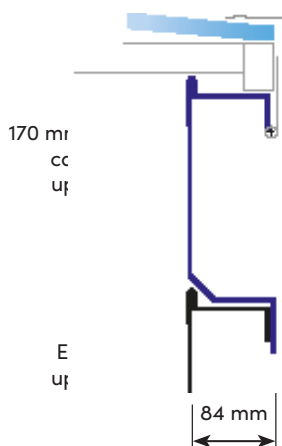
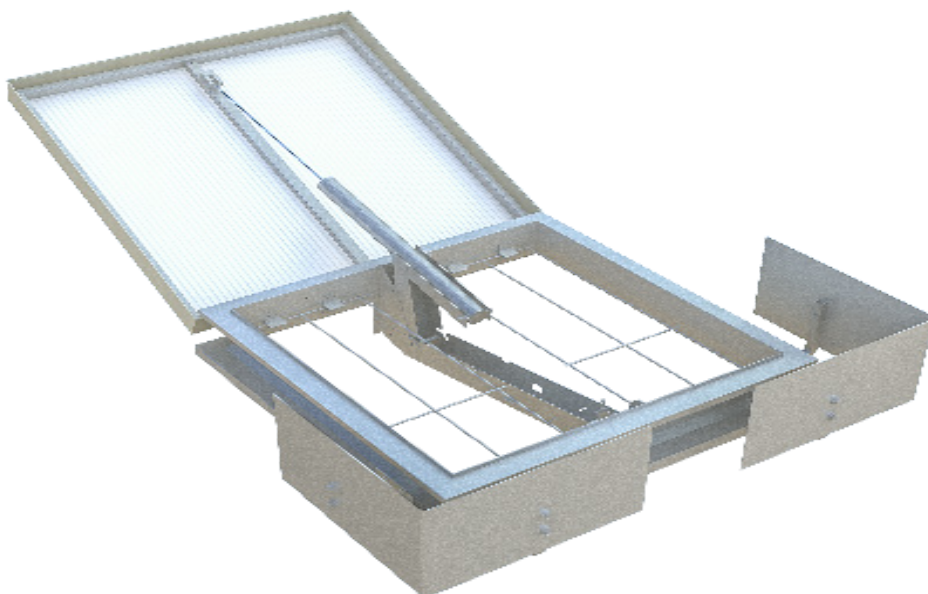
THERMIK' RANGE:

- Height 170 mm
- Bevelled adapter upstand with 84mm heel and 40mm overlap

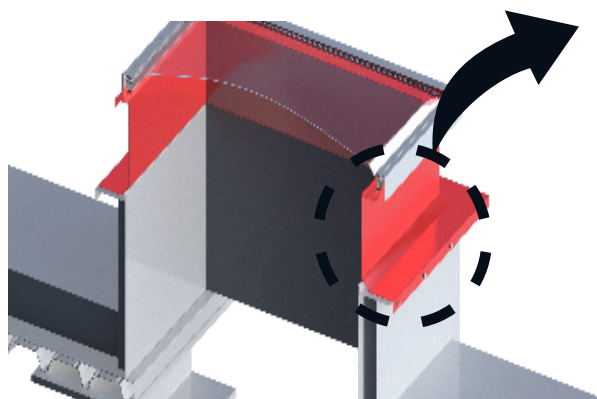


Control

- Pneumatic opening/closing
- Built-in and offset mechanism for 100x100 cm and 120x120 cm roof opening dimensions



Installation diagram



Options

Standard options list p.1

Upstand

- Heel width on request for fitting to existing substrate
- Upstand height on request

Dimensions & aeraulic performance

Roof opening dimensions A x B (cm)	Overall heel dimensions C x D (cm)	Height H* (cm)	Light surface (m ²)	E (cm)	Product weight (kg)	Av (m ²)	Aa (m ²)	
							SD	AD
100 x 100	117 x 117	23	1.00	165	53	1.00	0.57	0.68
120 x 120	137 x 137	23	1.44	186	64	1.44	0.77	0.97
140 x 140	157 x 157	23	1.96	207	75	1.96	0.97	1.30
150 x 150	167 x 167	23	2.25	228	81	2.25	1.08	1.48
160 x 160	177 x 177	23	2.56	240	86	2.56	1.18	1.67
180 x 180	197 x 197	25	3.24	274	97	3.24	1.38	2.13
195 x 200	212 x 217	25	3.90	285	108	3.90	1.54	2.43
100 x 150	117 x 167	23	1.50	165	63	1.50	0.85	1.01
100 x 200	117 x 217	25	2.00	165	75	2.00	1.15	1.33
120 x 200	137 x 217	28	2.40	186	82	2.40	1.29	1.57
140 x 200	157 x 217	25	2.80	207	89	2.80	1.40	1.83
120 x 250	137 x 267	25	3.00	186	93	3.00	1.64	1.95

Contact us for other dimensions.
* For an upstand height of 170 mm

Thermal performance: U_{RC} (W/m².K) and A_{RC} (m²)

PYRODÔME® ÉVOLUTION PNEUMATIQUE									
Dimensions (cm)	Upstand height: 170 mm								
	U_{RC}								A_{RC}
	Acoustik' Light	PCA 16	PCA 16+	PCA 20	PCA 32**	PCA 32+	Opaque 40 mm aluminium cover	Triple dome	
100 x 100	3.2	3	2.8	2.7	2.4	2.3	2.3	3.7	2.3
120 x 120	3.1	2.9	2.7	2.6	2.3	2.3	2.1	3.6	2.9
140 x 140	3	2.9	2.6	2.5	2.2	2.2	2	3.6	3.6
150 x 150	3	2.8	2.6	2.5	2.2	2.1	2	3.5	4.0
160 x 160	2.9	2.8	2.5	2.4	2.2	2	1.9	3.5	4.4
180 x 180	2.9	2.7	2.4	2.4	2.1	2	1.9	3.5	5.2
195 x 200	2.8	2.7	2.4	2.3	2	1.9	1.8	/	6.1
100 x 150	3.1	2.9	2.7	2.6	2.3	2.2	2.1	3.6	3.0
100 x 200	3	2.9	2.6	2.5	2.3	2.1	2.1	3.6	3.7
120 x 200	3	2.8	2.5	2.5	2.2	2.1	2	3.5	4.2
140 x 200	2.9	2.8	2.5	2.4	2.1	2	1.9	3.5	4.7
120 x 250	2.9	2.8	2.5	2.4	2.1	2	1.9	3.5	5.1

* For a 160 x 160 cm unit with a 360 mm high upstand and PCA 32+ filling
** Adding a dome has no effect on the unit's thermal conductivity Urc.

SKYDÔME

Entre Deux Villes
02270 Sons-Et-Ronchères, France
Tel: +33 (0)3 23 21 79 90
Email: info@skydome.eu
www.skydome.eu

For the product range in other countries, please contact your local representative or visit www.skydome.eu.

SKYDÔME reserves the right to modify product specifications without notice. The information and technical details contained in this documentation are provided in good faith and apply to the uses described. The recommendations for use must be checked to ensure they are appropriate and comply with the actual requirements, the specifications and all applicable legislation and regulations.

For other applications and conditions of use, please contact our technical team. Their advice must be sought concerning uses of our products that are not described specifically herein.

Click this link to check that you are seeing the most up-to-date and accurate information about our products:
https://www.skydome.eu/fr/produit/15_pyrodome-evolution-pneumatique.html

For **WATERPROOFED ROOFS OR EXISTING UPSTANDS**

PYRODÔME®

Évolution Pneumatique



NF 537
Actuated safety devices (DAS)
Control devices (DC)



EN 12101-2
EN 1873 + A1: 2016



VERSION



Filling

ORIGIN' RANGE:

- Opal PCA 10



Upstand

- Straight upstand
- 1.2 mm galvanised steel

ORIGIN' RANGE:

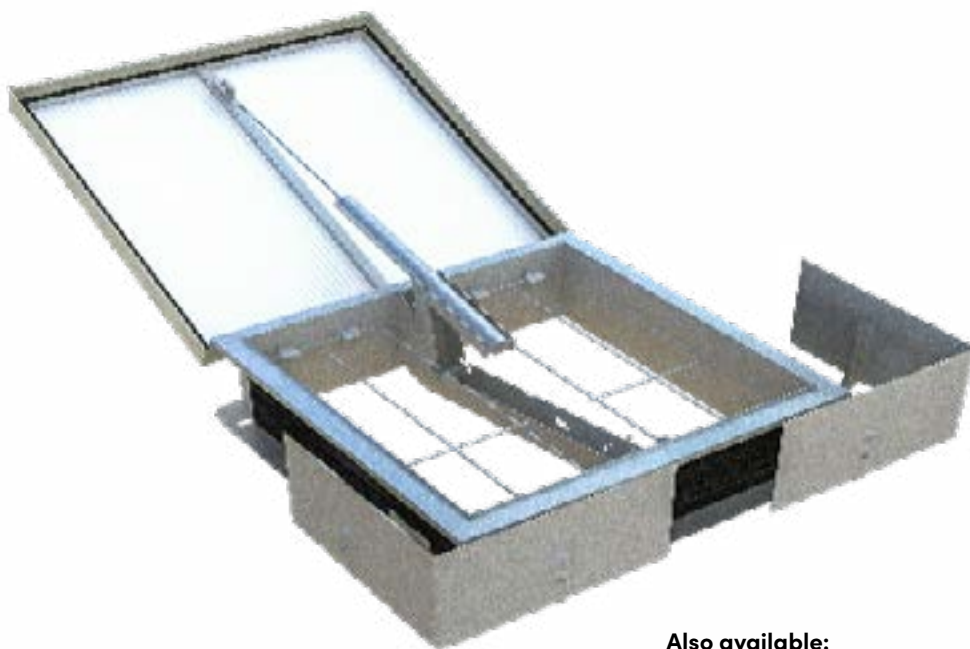
- Height 310 mm with a 15 mm bituminous insulating coating



Control

- Pneumatic opening/closing
- Built-in and offset mechanism for 100x100 cm and 120x120 cm roof opening dimensions

The PYRODÔME® EEVOLUTION PNEUMATIQUE is an NSHEV intended primarily for smoke and heat exhaust applications. It is suitable for use on waterproofed flat roofs on all types of buildings (including public facilities, work premises and industrial buildings).



Also available:



OPTIONS



Types of filling

- Black and white opaque PCA 10
- Transparent PCA 10
- Insulated aluminium cover
- PMMA double dome
- Solid PC double dome



Control

- Limit switch
- Thermo-fuse (93°C as standard. Options: 141°C or 183°C)



Electric or pneumatic ventilation kit



Upstand

- Upstand height: 360 mm, 410 mm or more
- Lacquered interior
- Colaminated sheet steel (standard RAL colours)
- Colaminated sheet steel top for PVC waterproofing
- Galvanised sheet steel top for PVC waterproofing
- Bare insulation for PVC waterproofing
- With/without wind baffles (AD/SD)
- Skewed upstand

Capping upstand

See page 5 for details.



Other information

- 6 mm round bar or 16x16 mm 1200 joule square tube grid, galvanised or lacquered in standard RAL
- Anti-sawing burglar-resistant grid (16x16 mm + R10 tube assembly), galvanised or lacquered in standard RAL



- Support crosspiece, lacquered grey RAL 9006
- Ladder attachment bar, lacquered grey RAL 9006
- Roof access enabled by releasing the bolt

Dimensions

Roof opening dimensions A x B (cm)		Overall heel dimensions C x D (cm)		Height H* (cm)				Light surface (m ²)	E (cm)	Product weight (kg)			
				Straight upstand		Skewed XL upstand				Straight upstand		Skewed XL upstand	
Straight upstand	Skewed XL upstand	Straight upstand	Skewed XL upstand	PCA	DD	PCA	DD			PCA	DD	PCA	DD
100 x 100	114 x 114	118 x 118	132 x 132	37	56	37	56	1.00	165	63	69	67	73
120 x 120	134 x 134	138 x 138	152 x 152	37	59	37	59	1.44	186	76	86	81	90
140 x 140	154 x 154	158 x 158	172 x 172	37	62	37	62	1.96	207	90	103	95	109
150 x 150	164 x 164	168 x 168	182 x 182	37	64	37	64	2.25	228	96	112	102	118
160 x 160	174 x 174	178 x 178	192 x 192	37	65	37	65	2.56	240	103	122	109	128
180 x 180	194 x 194	198 x 198	212 x 212	39	68	39	68	3.24	274	116	-	123	-
195 x 200	209 x 214	213 x 218	227 x 232	39	73	39	73	3.90	285	129	-	137	-
100 x 150	114 x 164	118 x 168	132 x 182	37	56	37	56	1.50	165	76	86	81	91
100 x 200	114 x 214	118 x 218	132 x 232	39	56	39	56	2.00	165	90	104	96	110
120 x 200	134 x 214	138 x 218	152 x 232	38	-	38	-	2.40	186	98	-	105	-
140 x 200	154 x 214	158 x 218	172 x 232	39	62	39	62	2.80	207	106	-	113	-
120 x 250	134 x 264	138 x 268	152 x 282	39	59	39	59	3.00	186	112	-	110	-

Contact us for other dimensions.
* For an upstand height of 310 mm

Filling performance

Type of filling	Thermal transmittance factor Ug (W/ m ² .K)	LT D65 ⁽²⁾	SF or g ⁽²⁾	Reaction to fire	$\begin{matrix} R_w \\ R_A = R_w + C \\ R_{A,Tr} = R_w + C_{Tr} \\ (dB)^{(3)} \end{matrix}$	
	U _{hor} ⁽¹⁾					
PCA	Opal 4-wall PCA 10	2.9	61%	61%	B-s1-d0	R _w =19 dB
	Transparent PCA 10 with Lumira™ aerogel	ND	ND	ND	ND	ND
Cover	40 mm aluminium cover	0.85	0%	ND	ND	ND
Dome	Opal PMMA double dome Opal upper dome + transparent lower dome	2.89	84%	ND	ND	ND

⁽¹⁾Relative to the horizontal, as per §2.31 of the Th-Bat regulations.

⁽²⁾Light transmittance LT D65 and solar transmittance SF (TST or g) as per EN 410.

⁽³⁾Filling insulated against airborne noise R_w, pink noise R_A (environment, airport and industrial activities) and road noise R_{A,Tr}, laboratory-measured according to NF EN ISO 140.

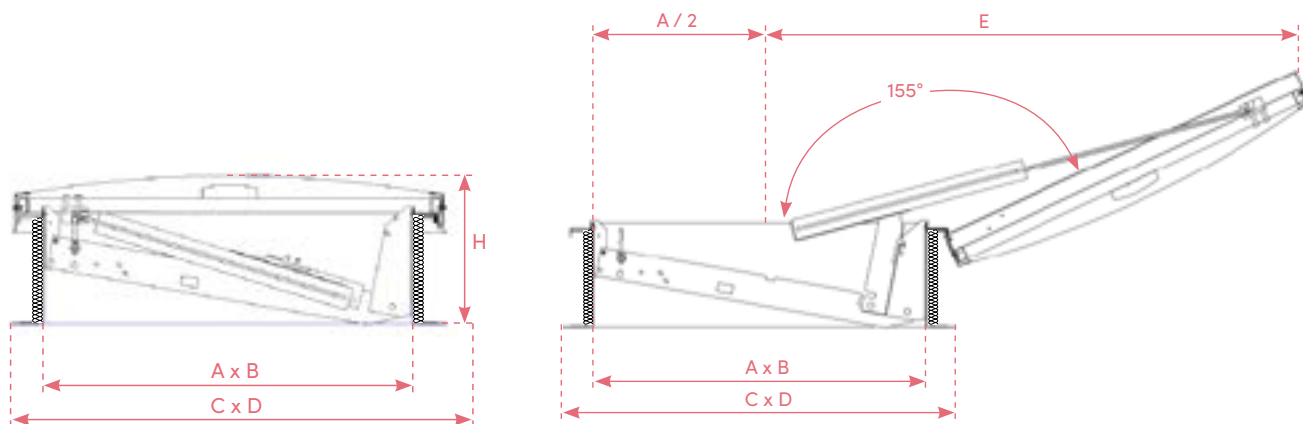
Control system

We supply versatile installation kits for controlling the **PYRODÔME® ÉVOLUTION PNEUMATIQUE** and **PYRODÔME® ÉVOLUTION PNEUMATIQUE CAPPING UPSTAND**. These easy-to-use kits combine a core kit with a range of (mechanical, pneumatic or electrical) satellite kits. See the *Installation Kits* datasheet for a full list of our kits.

Technical diagrams

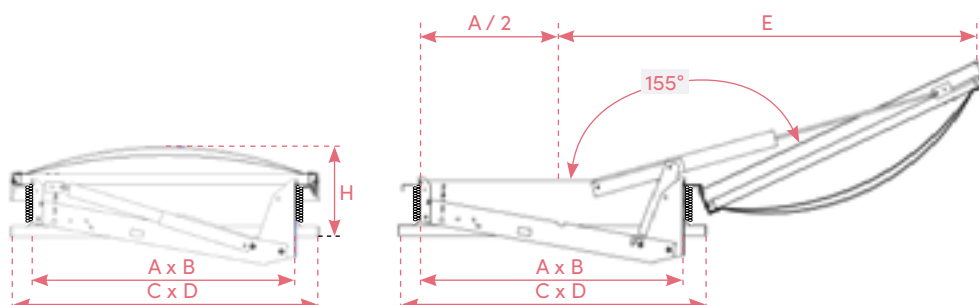
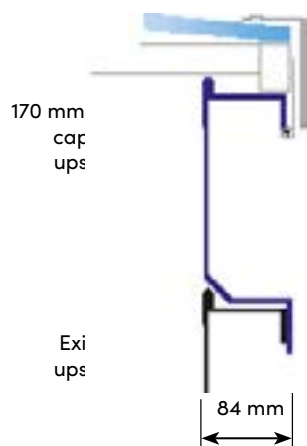
ORIGIN' range

PYRODÔME ÉVOLUTION PNEUMATIQUE PCA



ORIGIN' range capping upstand

PYRODÔME ÉVOLUTION PNEUMATIQUE double dome



PERFORMANCE

- Exhaust ventilator opening: type B (open + close)
- Reliability: Re 1000 + 10000 (with ventilation kit)
- Low ambient temperature: T(0°C)
- Resistance to heat: B₃₀₀
- Thermo-fuse set temperature: 93 °C to 183 °C
- Resistance to wind load: WL1500
- Opening under load: SL 250 to SL 500 depending on filling

Also available in WL 3000 for dimensions < 140 x 140 cm.
Contact us for details.

COMPLIANCE & INSTALLATION

CE certified NSHEV compliant with **NF EN 12101-2: 2003. (Product certification No. 0333 CPR 219015)**

The product must be fastened and sealed in accordance with the requirements defined in the applicable DTU specifications (series 40 and 43).

Maximum insulation height: as per the DTUs, the sealing flashing must extend to a height of at least 150 mm.

The waterproofing complex (substrate, vapour barrier, insulation and two-layer sealant) must be no thicker than 140 mm for an interior upstand height of 310 mm, or 240 mm for an interior upstand height of 410 mm.

Maximum permissible slope: 25° or 46% (see installation instructions).

Only the security bar option provides guaranteed 1200 joule protection.

DoP available at www.skydome.eu

Maximum permissible snow loads SL (Pa) and operating pressure

Roof opening (cm)	Jack volume (l)	Closing pressure (bar)	Opening pressure (bar)					
			PCA		Double dome		Aluminium cover	
			SL250	SL500	SL250	SL500	SL250	SL500
100 x 100	1.7	10	10	15	10	15	10	15
120 x 120	1.9		11	15	11	15	10	11
140 x 140	2.0		13	22	14	23	14	23
150 x 150	2.0		17	27	17	28	17	28
160 x 160	2.7		16	26	17	28	17	28
180 x 180	2.7		21	-	-	-	-	-
195 x 200	2.7		27	-	-	-	-	-
100 x 150	1.7		10	15	10	15	10	15
100 x 200	1.7		11	15	11	15	11	15
120 x 200	1.9		14	20	-	-	-	-
140 x 200	2.0		17	30	-	-	-	-
120 x 250	1.9		17	24	-	-	-	-

Aeraulic performance

Roof opening dimensions A x B (cm)		Av (m ²)	PYRODÔME ÉVOLUTION PNEUMATIQUE		PYRODÔME ÉVOLUTION PNEUMATIQUE XL		
			Aa (m ²)		Av (m ²)	Aa (m ²)	
Straight upstand	Skewed XL upstand		SD	AD			SD
100 x 100	114 x 114	1.00	0.55	0.68	1.30	0.70	0.87
120 x 120	134 x 134	1.44	0.78	0.96	1.80	0.97	1.20
140 x 140	154 x 154	1.96	1.04	1.28	2.37	1.27	1.60
150 x 150	164 x 164	2.25	1.18	1.45	2.69	1.43	1.82
160 x 160	174 x 174	2.56	1.34	1.63	3.03	1.61	2.05
180 x 180	194 x 194	3.24	1.67	2.12	3.76	1.99	2.56
195 x 200	209 x 214	3.90	1.99	2.35	4.47	2.36	3.07
100 x 150	114 x 164	1.50	0.81	1.00	1.87	1.01	1.25
100 x 200	114 x 214	2.00	1.00	1.33	2.44	1.32	1.64
120 x 200	134 x 214	2.40	1.21	1.59	2.87	1.45	1.95
140 x 200	154 x 214	2.80	1.42	1.85	3.30	1.68	2.24
120 x 250	134 x 264	3.00	1.41	1.98	3.54	1.78	2.41

⁽¹⁾ Air permeability tests carried out at the CSTC test centre as per NF EN 1873 protocols (with reference to the standards NF EN 12152 and NF EN 12153). ² Effective light surface calculated with white lacquered upstand and PCA16 filling.

PYRODÔME® ÉVOLUTION PNEUMATIQUE CAPPING UPSTAND

FOR RENOVATION AND COMPLIANCE WORKS

The **PYRODÔME® EVOLUTION PNEUMATIQUE CAPPING UPSTAND** is designed to fit any type of upstand, whether for compliance reasons or to change the NSHEV's purpose **while maintaining the existing upstand**.



Filling

- Opal multi-wall PCA 10,
 $U_g = 2.7 \text{ W/m}^2\cdot\text{K}$



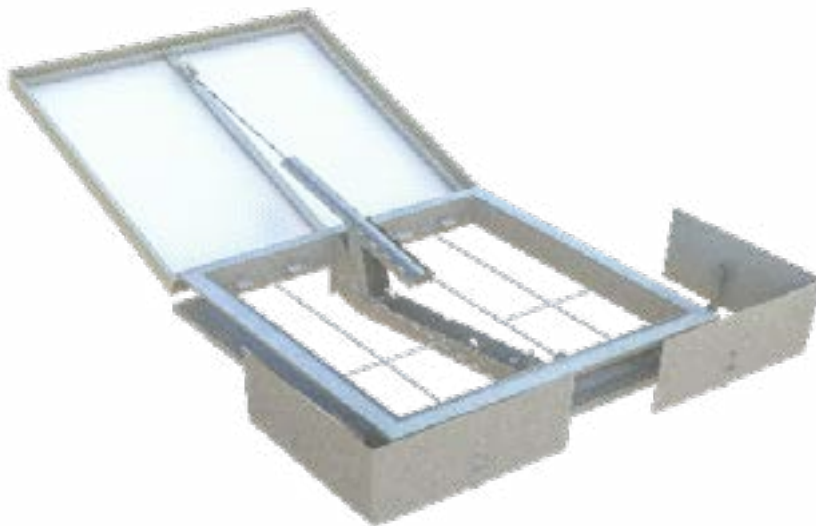
Upstand

- Bevelled adapter upstand with
84 mm heel and 40 mm overlap
- 1.2 mm galvanised steel
- Height 170 mm



Control

- Pneumatic opening/closing
- Built-in and offset mechanism
for 100x100 cm and 120x120 cm
roof opening dimensions

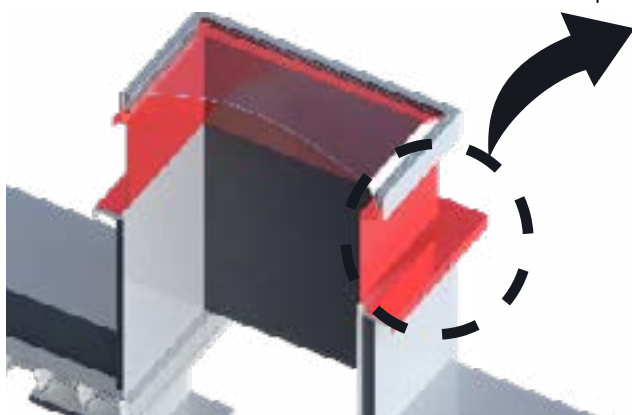


170 mm
cap
ups

Exi
ups

84 mm

Installation diagram



Options

Standard options list p.1

Upstand

- Upstand insulation including a galvanised steel protection plate
- Heel width on request for fitting to existing substrate
- Upstand height on request

Dimensions & aeraulic performance

Roof opening dimensions A x B (cm)	Overall heel dimensions C x D (cm)	Height H* (cm)		Light surface (m ²)	E (cm)	Product weight (kg)		Av (m ²)	Aa (m ²)	
		PCA	DD			PCA	DD		SD	AD
100 x 100	117 x 117	23	42	1.00	165	53	59	1.00	0.57	0.68
120 x 120	137 x 137	23	45	1.44	186	64	73	1.44	0.77	0.97
140 x 140	157 x 157	23	48	1.96	207	75	89	1.96	0.97	1.30
150 x 150	167 x 167	23	50	2.25	228	81	97	2.25	1.08	1.48
160 x 160	177 x 177	23	51	2.56	240	86	105	2.56	1.18	1.67
180 x 180	197 x 197	25	54	3.24	274	97	-	3.24	1.38	2.13
195 x 200	212 x 217	25	59	3.90	285	108	-	3.90	1.54	2.43
100 x 150	117 x 167	23	42	1.50	165	63	86	1.50	0.85	1.01
100 x 200	117 x 217	25	42	2.00	165	75	104	2.00	1.15	1.33
120 x 200	137 x 217	28	-	2.40	186	82	-	2.40	1.29	1.57
140 x 200	157 x 217	25	48	2.80	207	89	-	2.80	1.40	1.83
120 x 250	137 x 267	25	45	3.00	186	93	-	3.00		

Contact us for other dimensions.
* For an upstand height of 170 mm



SKYDÔME

Entre Deux Villes
02270 Sons-Et-Ronchères, France
Tel: +33 (0)3 23 21 79 90
Email: info@skydome.eu
www.skydome.eu

For the product range in other countries, please contact your local representative or visit www.skydome.eu.

SKYDÔME reserves the right to modify product specifications without notice. The information and technical details contained in this documentation are provided in good faith and apply to the uses described. The recommendations for use must be checked to ensure they are appropriate and comply with the actual requirements, the specifications and all applicable legislation and regulations.

For other applications and conditions of use, please contact our technical team. Their advice must be sought concerning uses of our products that are not described specifically herein.

Click this link to check that you are seeing the most up-to-date and accurate information about our products:
https://www.skydome.eu/fr/produit/15_pyrodome-evolution-pneumatique.html